

## Byram Laboratories' DATA COLLECTOR



The Byram Data Collector is installed at a sub-metering site's head end location to collect data from transmitters. The Data Collector interfaces to the EnergyAxis® network for collection of utility consumption data. It then stores the collected data, and transfers the data to a remote billing server for accurate bill generation.

The Byram Data Collector is a communications platform, and it can be easily integrated into a variety of advanced metering infrastructure (AMI) solutions.

### Why sub-metering

Sub-metering is the most accurate and widely used method of recovering variable utility costs at multifamily properties. It is a proven, cost effective and easy to implement method to recover water, electric and gas expenses.

Properties benefit from:

- Reduced variable utility costs,
- Improved net operating income
- Increased property value.

### Key Features

- Fully programmable
- Preprogrammed at the factory
- High accuracy internal clock
- Polycarbonate enclosure
- Easily upgradeable through software and optional hardware
- 15 minute load profiling with electric sub-metering or 1 hour profiling with water sub-metering
- 128 KB of main circuit board memory
- Transformer and line loss compensation
- Provides reliable data collection for gas, water, electric and run-time meters
- Logs data for up to 2000 individually managed meters
- Time stamps incoming data

## Definable Return on Investment

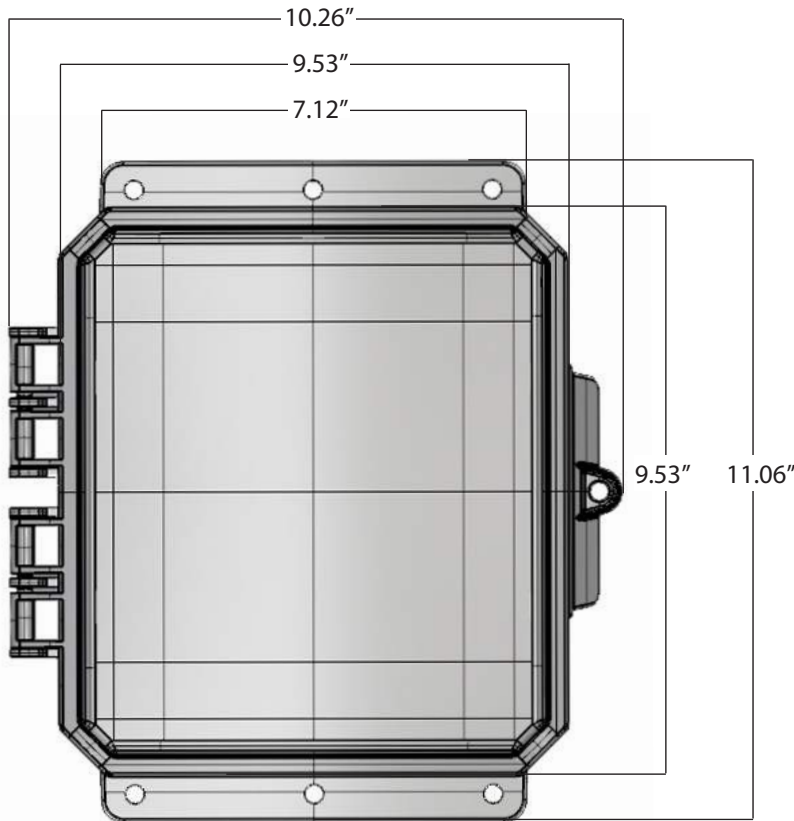
Since the wireless sub-metering system is compatible with water, electric and gas meters, properties can recover virtually all utility expenses associated with individual apartment units. With the system installed, a property's operating budget is no longer affected by utility rate increases or spikes in resident usage. The solution offers properties a definable return on investment that can be easily calculated each month to illustrate cost savings.

### Specifications

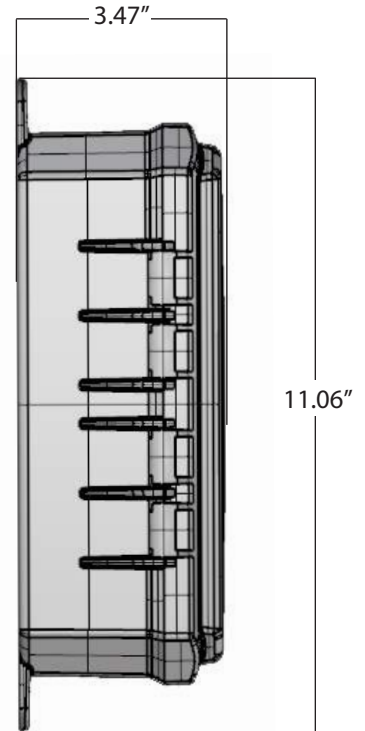
#### Byram Data Collector

Maximum voltage	Continuous 528 VAC (AnyPhase option: L-L or L-N)	
Surge voltage withstand	ANSI C37.90.1 oscillatory	2.5kV, 2500 strikes
	Fast transient	5kV, 2500 strikes
	ANSI C62.41	kV at 1.2/50 $\mu$ s, 10 strikes
	IEC 61000-4-4	4 kV, 2.5 kHz repetitive burst for 1 minute
Voltage range	ANSI C12.1 Insulation	2.5 kV, 60 Hz for 1 minute
	Nameplate nominal range	120 V to 480 V
	Operating range	96 V to 528 V
Frequency range	Nominal 50 Hz or 60 Hz $\pm$ 5 %	
Temperature range	-40 °F to +185 °F inside the meter cover	
Humidity range	0 % to 100 % non-condensing	
Ordering #	1C6316	

Front of Enclosure



Side of Enclosure



Information contained herein is subject to change without notice. Product specifications may change. Contact your Byram representative for the most current product information. Printed in the United States.

EnergyAxis is a trademark and/or registered trademark of Elster. Used by permission. Other products may be trademarks and/or registered trademarks of their respective owners.