

Byram Laboratories' OUTDOOR REPEATER



Byram's repeaters are electronic electricity meters designed to meet residential metering requirements and provide remote communications. As a component of the EnergyAxis® System, our repeaters bring advanced metering infrastructure capabilities to residential metering applications. Utilities can obtain interval data, bidirectional energy, critical tier, and time-of-use (TOU) data through the EnergyAxis® network.



Fast and Easy Installation

Our simple plug and play solution allows for quick and easy installation. Once powered on, the repeater will automatically search for, and begin communicating with, the nearest metering devices in the mesh network. This feature greatly reduces the installation time and cost.

Key Features

- 4ft. Line cord included
- Proven 2-way communications using EnergyAxis® 900 MHz FHSS RF technology, providing the ideal combination of speed, penetration, and RF power.
- 2 Channel interval data collection with EOI energy snapshot for improved data validation.
- Quick and easy to install.
- UL recognized safety.
- Future upgradability with over the air firmware upgrades.
- Advanced energy theft and meter tampering detection technology.
- Advanced security with full 128-bit AES encryption.

Over the Air Upgrades

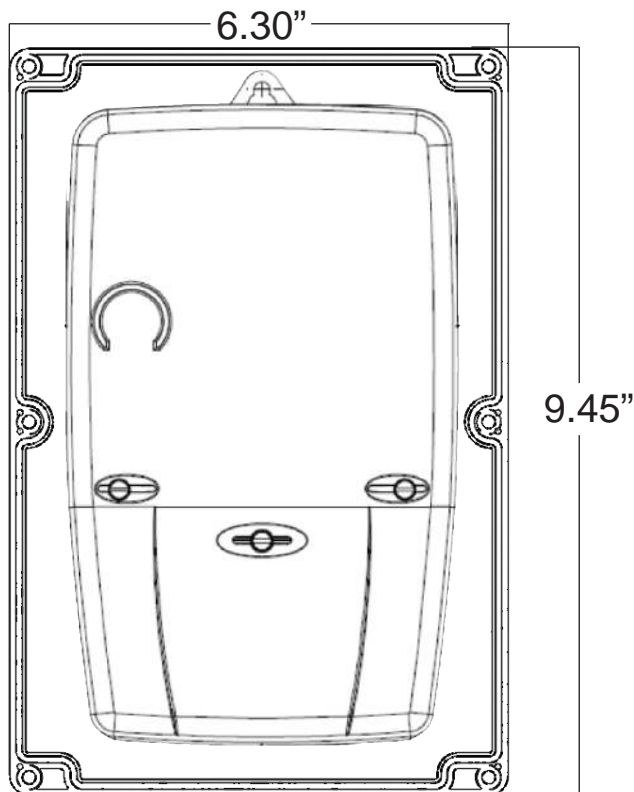
Byram's proven code management architecture allows remote upgrade of repeater and communications firmware while ensuring that endpoint network functionality remains intact without loss of data. Remote upgradability of the entire firmware image protects your investment and allows you to meet future requirements of the smart grid without concern of technology obsolescence. In addition to remote firmware upgradability, the meter also supports remote reconfiguration of many metering parameters.

Specifications

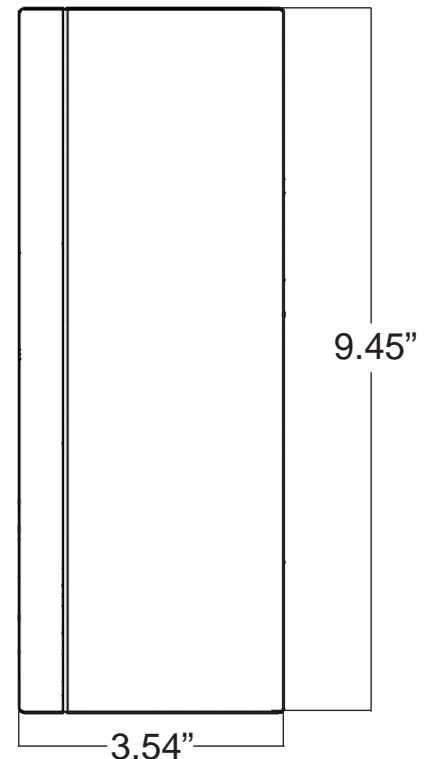
Voltage

1 phase, 2 wire service	120 VAC \pm 20%
Frequency	Nominal 60 Hz \pm 5%
Temperature	-40°F to +131°F (ambient)
Humidity	0% to 100 % (non-condensing)
General performance characteristics	
Starting current	100mA
Burden	Less than 1.5W
Primary time base	Relative time is maintained by a crystal, real time is provided by the EnergyAxis network
Communications frequency	902 MHz to 928 MHz (unlicensed)
Communications rate	17,600 bps (900 MHz radio)
IEC standards compliance	IEC 62052-11, IEC 62052-21, IEC 62053-21
Additional standards	C12.19, C12.22, AS/NZS 4268, NMI M6
Ordering #	1C6348

Front of Enclosure



Side of Enclosure



EnergyAxis is a trademark and/or registered trademark of Elster. Used by permission. Other products may be trademarks and/or registered trademarks of their respective owners.

Information contained herein is subject to change without notice. Product specifications may change. Contact your Byram representative for the most current product information. Printed in the United States.